

# DH-HAC-HFW1509MH-A-LED

5MP Full-color HDCVI Fixed-focal Bullet Camera



## Series Overview

The Lite Series is a great choice for consumers looking for high quality monitoring products at a reasonable price. Its low cost and high performance make it ideal for residential areas and SMB solutions. This series is equipped with a wide range of technologies, such as full-color and starlight, providing various solutions for different scenarios.

## Functions

### Full-color

With its advanced image processing algorithm and capability to absorb large quantities of light, the camera provides 24/7 color monitoring that collects clear and highly detailed information, significantly increasing the reliability of the human and vehicle images that are collected as evidence for intelligent analysis.

### Wide Dynamic Range

With its advanced Wide Dynamic Range technology (WDR), the camera captures highly detailed images and produces high-definition recordings in high-contrast lighting conditions, and in scenes with backlighting or shadows.

### Smart Light+

Equipped with advanced LEDs and beam processing technology, the camera effectively reduces interference of stray light, ensuring concentrated illumination within the lens's field of view. This allows the camera to easily produce clear images that reveal the fine details of targets even in low light conditions.

### Smart Area Lighting

Automatically adjusts the intensity of the brightness and exposure for the left and right areas in the video based on the proportion and position of the targets to reveal more details in the image.

- \* The parameters and datasheets below can only be applied to 1509-S3 series.
- \* In order to use the 5MP 16:9 HDCVI camera, the firmware of XVR must be upgraded to V4.001.0000001.0.R.200908 or later version
- Max 25 fps@5MP (16:9 video output)
- Super Adapt, 120 dB true WDR, 3D NR
- 24/7 color imaging
- Smart Light+
- Smart Area Lighting
- Built-in Mic
- 50 m illumination distance
- CVI/CVBS/AHD/TVI switchable
- 3.6 mm fixed lens (2.8 mm optional)
- IP67, 12 VDC



### Broadcast-quality Audio

Audio signal transmission over coaxial cables is supported by the HDCVI camera. It adopts a unique audio processing and transmission technology that restores source audio and eliminates noise, ensuring the quality and reliability of the audio information that is collected. This becomes important for video surveillance applications that use audio information as a type of supplementary evidence.

### Super Adapt

With its intelligent algorithm, the camera automatically adjusts its parameters to provide optimal performance and vivid images.

### Advanced 3DNR

Dahua's advanced 3DNR technology reduces image noise with little to no impact on image sharpness, especially in poor lighting conditions. It detects the noise, and compares the sequential frames to effectively reduce the noise. It also makes efficient use of bandwidth, saving on storage space.

### Technical Specification

#### Camera

Image Sensor	5 MP CMOS
Max. Resolution	2880 (H) × 1620 (V)
Scanning System	Progressive
Electronic Shutter Speed	PAL: 1/3 s–1/100,000 s; NTSC: 1/4 s–1/100,000 s
Min. Illumination	0.001 lux@F1.0 (Color, 30 IRE) 0 lux (Illuminator on)
S/N Ratio	>65 dB
Illumination Distance	50 m (164 ft)
Illuminator On/Off Control	Auto/Manual
Illuminator Number	4 (Warm light)
Angle Adjustment	Pan: 0°–360° Tilt: 0°–90° Rotation: 0°–360°

#### Lens

Lens Type	Fixed-focal
Auto Focus	No
Lens Mount	M12
Focal Length	3.6 mm; 6 mm
Max. Aperture	F1.0
Field of View	3.6 mm: H: 88°; V: 46°; D: 104° 6 mm: H: 59°; V: 32°; D: 67°
Iris Control	Fixed
Close Focus Distance	3.6 mm: 2.3 m (7.55 ft) 6 mm: 4.5 m (14.76 ft)

DORI Distance	Lens	Detect	Observe	Recognize	Identify
	3.6 mm	80.0 m ( 262.5 ft)	32.0 m ( 105.0 ft)	16.0 m ( 52.5 ft)	8.0 m ( 26.2 ft)
	6 mm	120.0 m ( 393.7 ft)	48.0 m ( 157.5 ft)	24.0 m ( 78.7 ft)	12.0 m ( 39.4 ft)

\*DORI (Detect, Observe, Recognize, Identify) is a standard system (EN-62676-4) for defining the ability of a person viewing the video to distinguish persons or objects within a covered area. The numbers in this table do not reflect intelligent function distances. For intelligent function distances, refer to installation and commissioning manual/project design tool.

#### Video

Video Frame Rate	CVI: PAL: 5M@25 fps; 5M@12.5 fps; 4M@25 fps; 1080p@25 fps NTSC: 5M@25 fps; 5M@10 fps; 4M@30 fps; 1080p@30 fps AHD: PAL: 4M@25 fps NTSC: 4M@30 fps TVI: PAL: 5M 16:9@20 fps; 4M@25 fps NTSC: 5M 16:9@20 fps; 4M@30 fps CVBS: PAL: 960H NTSC: 960H
------------------	---

Resolution	5M (2880 × 1620); TVI 5M 16:9 (2960 × 1665); 4M (2560 × 1440); 1080p (1920 × 1080); 960H (960 × 576/960 × 480)
Day/Night	Color
BLC	BLC; HLC; WDR; HLC-Pro
WDR	120 dB
White Balance	Auto/Area white balance
Gain Control	Auto/Manual
Noise Reduction	3D NR
Illumination Mode	Smart Light
Defog	Electronic defog
Digital Zoom	4×
Mirror	Yes
Privacy Masking	Off/On (8 areas, rectangle)

#### Certification

Certifications	CE-LVD: EN 62368-1; CE-EMC: EN 55032; EN 55035;
----------------	--

#### Audio

Built-in Mic	Yes
--------------	-----

#### Port

Video Output	Video output choices of CVI/TVI/AHD/CVBS by one BNC port
Alarm Output	1 channel

#### Power

Power Supply	12 VDC ± 30% (It is recommended to use a power adapter to supply the power for one camera)
Power Consumption	Max 9 W (12 VDC, LED on)

#### Environment

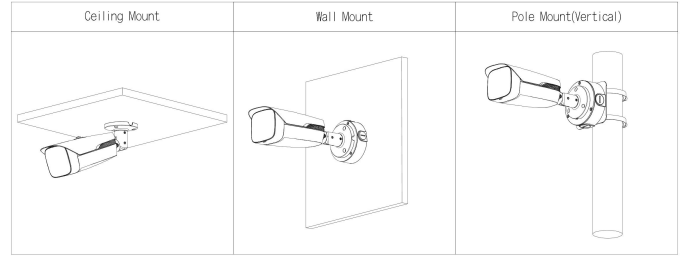
Operating Temperature	–40 °C to +60 °C (–40 °F to +140 °F)
Operating Humidity	<95% (RH), non-condensing
Storage Temperature	–40 °C to +60 °C (–40 °F to +140 °F)
Storage Humidity	<95% (RH), non-condensing
Protection	IP67
Anti-corrosion Level	Basic Protection

#### Structure

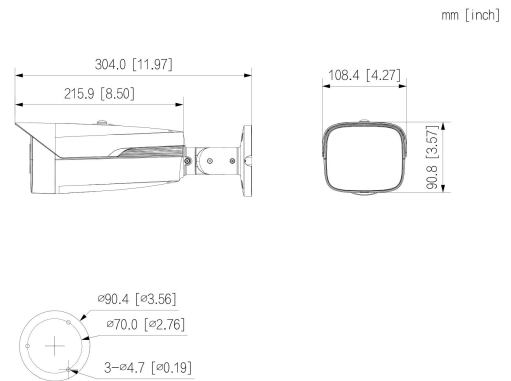
Casing Material	Metal front cover + plastic rear barrel + metal bracket
Product Dimensions	304 mm × 108.4 mm × 90.8 mm (11.97" × 4.27" × 3.57")
Net Weight	0.82 kg (1.81 lb)
Gross Weight	1.25 kg (2.76 lb)
Installation	Wall mount; ceiling mount; vertical pole mount

**Ordering Information**

Type	Model	Description
HDCVI CAMERA	DH-HAC-HFW1509MHP-A-LED	5MP Full-color HDCVI Fixed-focal Bullet Camera, PAL
	DH-HAC-HFW1509MHN-A-LED	5MP Full-color HDCVI Fixed-focal Bullet Camera, NTSC
Accessories (Optional)	DH-PFA130-E	Water-proof Junction Box
	DH-PFA151	Corner mount bracket
	G3416GW	G3/4" Water Joint
	DH-PFA152-E	Pole Mount Bracket
	DH-PFA135	Junction box
	DH-PFM800-4K	1 Channel Passive HDCVI Balun
	DH-PFM321-EN	DC12V1A power adapter
	DH-PFM321D-EN	DC12V 1A power adapter
	DH-PFM320D-EN	DC12V2A power adapter
	PFM904	Integrated Mount Tester



**Dimensions (mm[inch])**



**Accessories**

Optional:



DH-PFA130-E  
Water-proof Junction Box



DH-PFA151  
Corner mount bracket



G3416GW  
G3/4" Water Joint



DH-PFA152-E  
Pole Mount Bracket



DH-PFA135  
Junction box



DH-PFM800-4K  
1 Channel Passive HDCVI Balun



DH-PFM321-EN  
DC12V1A power adapter



DH-PFM321D-EN  
DC12V 1A power adapter



DH-PFM320D-EN  
DC12V2A power adapter



PFM904  
Integrated Mount Tester