

Tiandy



TC-H326S Spec:33X/I/E+/A/V3.0 2MP 33× Starlight IR POE AI PTZ Camera



Pro Series

KEY FEATURES

- Up to 1920X1080@30fps
- Min. illumination Color: 0.001Lux@F1.5
- Optical zoom: 33×, digital zoom 16×
- Smart IR, IR Range: 200m
- S+265/H.265/H.264/M-JPEG
- Intelligent monitoring/ Face Capture mode
- Support Human/Vehicle Classification
- Support Auto-tracking
- Plugin Free
- IP66



Tiandy Technologies Co.,Ltd.

Email: sales@tiandy.com

Tel: +86-22-58596065

Website: en.tiandy.com

Fax: +86-22-58596048



SPECIFICATIONS

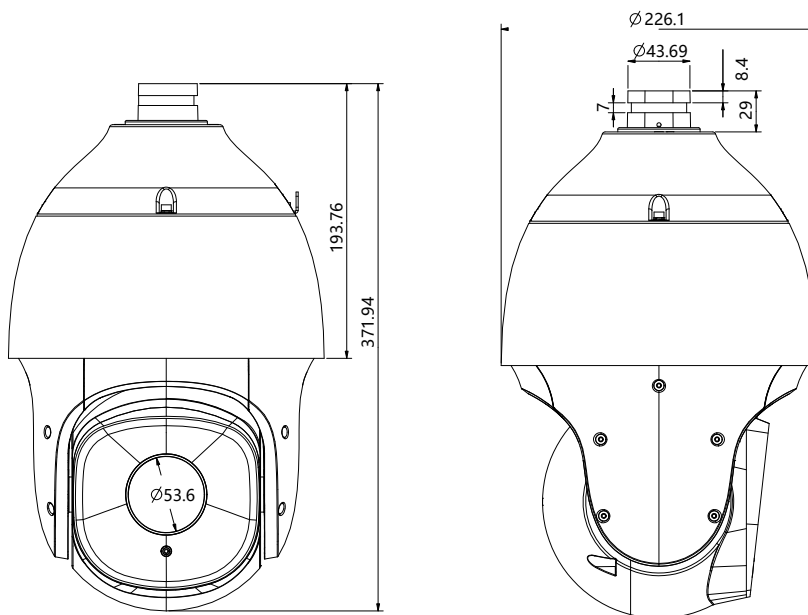
Camera	
Image Sensor	1/2.8" CMOS
Signal System	PAL/NTSC
Min. Illumination	Color: 0.001lux@ (F1.5, AGC ON), BW: 0lux with IR
Shutter Time	1s to 1/100,000s
Day & Night	IR Cut Filter with Auto Switch
Optical Zoom	33X
Digital Zoom	16X
Lens	
Focal Length	4.6mm~152mm
Zoom Speed	<4s
Field of View	Horizontal filed of view: 60° (w)~2.3° (t) Vertical filed of view: 34.4° (w)~1.5° (t) Diagonal field of view: 66.7°(w)~2.8° (t)
Aperture Range	F1.5~F4.3
Focus Control	Auto/Manual
Iris Control	Auto
Close Focus Distance	1 m~1.5 m
Pan&Tilt	
Pan Range	360°
Pan Speed	Pan Manual Speed: 0.1°~180°/s, Pan Preset Speed: 240°/s
Tilt Range	-16°~90° (Default -3°~90°)
Tilt Speed	Tilt Manual Speed: 0.1°~120°/s, Tilt Preset Speed: 120°/s
3D Position	Yes
Preset	500
Preset Accuracy	±0.4°
Cruise	16, up to 32 presets per cruise
Scan	8
Pattern	8, each with 600s memory or 1000 orders
Scheduled Task	Preset、Cruise、Scan、Pattern、Alarm output
Park Action	Yes
Power-off Memory	Yes
Preset Freezing	N/A
Illuminator	
IR LEDs	10
IR Distance	Up to 200m
IR Irradiation Angle	Adjustable by Zoom
White LEDs	N/A
Laser	N/A
Laser Distance	N/A
Compression Standard	
Video Compression	S+265/H.265/H.264/M-JPEG
Video Bit Rate	32Kbps~16Mbps
Audio Compression	G.711A/G.711U/ADPCM_D/AAC_LC
Audio Sampling Rate	8K~48Kbps
Image	
Max. Resolution	2MP (1920x1080)
Main Stream	PAL: 25fps (1920x1080, 1280x960, 1280x720, 704x576, 640x480) NTSC: 30fps (1920x1080, 1280x960, 1280x720, 704x480, 640x480)
Sub Stream	PAL: 25fps (704x576, 704x288, 640x360, 352x288) NTSC: 30fps (704x480, 704x240, 640x360, 352x240)
Third Stream	PAL: 25fps (1920x1080, 1280x960, 1280x720, 704x576, 640x480, 704x288, 352x288) NTSC: 30fps (1920x1080, 1280x960, 1280x720, 704x480, 640x480, 704x240, 352x240)
BLC	Yes
HLC	Yes
WDR	True WDR

Tiandy

Image Stabilization	N/A
Fog	Digital
White Balance	Auto/Semi-auto/Manual/Sunny/Natural light/Warm light/Sodium lamp/Incandescent lamp/Locked white balance
AGC	Yes
Noise Reduction	2D/3D
ROI	7 Dynamic Areas for Both Main and Sub Stream, support 1 auto-tracking ROI
Picture Overlay	Yes
Privacy Mask	Yes
Smart Defog	Yes
Image Setting	Saturation, brightness, contrast, sharpness, adjustable by client software or web browser
Flip	Yes
OSD	16x16, 24x24, 32x32, 48x48, 64x64, adaptable size, Letters such as Week, Date, Time, Total 5 Regions
Feature	
Alarm Trigger	Event Input, Event Output, Mask Alarm, Disk Full, Disk R/W Error, IP Address Conflict, MAC Address Conflict, FTP Server Exception
Video Analytics	Tripwire, Double Tripwire, Perimeter, Object Abandon, Object Lost, Loitering, Running, Parking, Heatmap, Crowd, People Counting, On Duty Detection, Safety Helmet Detection, Video Abnormal, Audio Abnormal
Early Warning(EW)	N/A
Auto-Tracking	Yes
Face Detection and Analytics	
Operating Mode	Face capture, intelligent monitoring optional, default intelligent monitoring
Face Detection Performance	Detects up to 32 faces at the same scene
Face Exposure Brightness	Default 35, 1~100 brightness optional
Min. Face Pixel	Default 80, 19~1920 optional
Network	
Protocols	HTTP/HTTPS/TCP/UDP/UPnP/SNMP/DHCP/DNS/DDNS/Easy/ DDNS/NTP/SMTP/SSL/802.1X/QoS/IPv4/IPv6/PPPOE/SSH/Unicast/Multicast/RTMP/RTP/RTSP/NFS/SMB/CIFS/FTP
System Compatibility	ONVIF (PROFILE S/T/G/M), SDK, CGI, P2P
ANR	Auto store video in SD card when NVR disconnected, and upload video to NVR when resumed connection (Only Support Tiandy ANR NVR)
Remote Connection	≤7
User/Host	Up to 32 users. 4 user levels
Web Version	web6
Interface	
Communication Interface	1 RJ45 10M/100M self adaptive Ethernet port
Audio I/O	1/1
Alarm I/O	1/1
Built-In Speaker	N/A
Reset Button	Yes
On-board storage	Built-in Micro SD card slot, up to 512 GB
RS-485	N/A
BNC	N/A
Wiper	N/A
Electronic Compass	N/A
GPS/BDS	N/A
General	
Protection	IP66 , TVS 6000V lightning protection, surge protection and voltage transient protection
Web Client Language	18 languages Simple Chinese/ Traditional Chinese/ English/ Spanish/ Korean/ Italian/ Turkish/ Russian/ Thai/French/ Polish/ Dutch/ Hebrew/ Arabic/ Vietnamese/ German/ Ukrainian/Portuguese
Operating Conditions	-40°C~70°C (IR OFF), -40°C~40°C (IR ON), 0-95%RH
Power Supply	DC12V±10%/POE+(IEEE802.3 at)
Power Consumption	14W(IR OFF), 24W(IR ON)
Heater	N/A
Material	ADC 12
Package/Boundary Dimensions	Φ310x500mm (Φ222x372mm)
Gross/Net Weight	7.8kg (5.3kg)

* Listed resolutions are only selectable options. It does not mean that all streams can work at their maximum resolution at the same time.

DIMENSIONS (Unit: mm)



ACCESSORIES



DF20Y
Wall Mount

OPTIONAL



A37
Installation Adapter



A38
Ceiling Mount



DF21Y
Pendant Mount



A36
Pole Mount



A35
Corner Mount



811
Junction Box

DISTRIBUTED BY



Tiandy Technologies Co.,Ltd.

Email: sales@tiandy.com

Tel: +86-22-58596065

Website: en.tiandy.com

Fax: +86-22-58596048