



## TC-H366V Spec:4MP/25X/IW/E/A/2.8mm

PTZ

Pro Series



### KEY FEATURES

- Up to Panorama:3840×1568@25fps Detail: 2560×1440@25fps
- Panorama:0.0001lux Detail:0.001Lux
- Panorama:S+265/H.265/H.264/M-JPEG Detail:S+265/H.265/H.264/M-JPEG
- Built-in Micro SD card slot, up to 512 GB
- Support Panorama:Smart surveillance Detail:Smart surveillance
- Support Panorama:Human/Vehicle Classification Detail:Human/Vehicle Classification
- Operating Conditions -30°C~65°C(IR OFF) -30°C~40°C(IR ON), 0-95%
- AC24V±25%\DC24V±10%, POE IEEE802.3BT
- IP66

## SPECIFICATIONS

Camera	
Image Sensor	Panorama:1/1.8"CMOS Detail:1/2.7"CMOS
Min. Illumination	Panorama:0.0001lux Detail:0.001Lux
Shutter Time	Panorama:1s~1/100000s Detail:1s~1/100000s
Day&Night	Panorama:N/A Detail:IR-cut filter with auto switch (ICR)
WDR	Panorama:DWDR Detail:120dB
Lens	
Focal Length	Panorama:3.3mm Detail:4.8mm~120mm
Optical Zoom	Panorama:N/A Detail:25X
Digital Zoom	Panorama:N/A Detail:16X
Zoom Speed	Panorama:N/A Detail:<5s
Aperture Range	Panorama:F1.0 Detail:F1.67~F3.67
Field of View	Panorama:190±10°(H) Detail:58°~2.8°(H); Panorama:75±10°(V) Detail:33.9°~1.7°(V); Panorama:N/A Detail:64.8°~3.3°(D)
Focus Control	Panorama: N/A Detail:Auto/Semi-auto/Manual
Iris Control	Panorama:Fixed Detail:Auto
Close Focus Distance	Panorama:2000mm Detail:500mm~5000mm
DORI Distance	Panorama: Detect:45.5m Observe:18.1m Recognize:9.1m Identify:4.6m Detail: Detect:Detect:1980m Observe:785m Recognize:396m Identify:198m
Pan&Tilt	
Pan Range	Detail:360°
Tilt Range	-16°~90° (Default -3°~90°)
Tilt Speed	Manual Speed:0.1°~120°/s Preset: 180°/s
3D Position	Yes
Preset	500

Cruise	16, up to 32 presets per cruise
Scan	8
Pattern	8, each with 600s memory or 1000 orders
Scheduled Task	Preset、Cruise、Scan、Pattern
North Point	Yes(Manual setting)
Power-off Memory	Yes

## Illuminator

IR LEDs	Panorama:N/A Detail:10
IR Distance	Panorama:N/A Detail:150m
Wavelength	Panorama:N/A Detail:850nm
IR Irradiation Angle	Panorama:N/A Detail:Adjustable by Zoom
White LEDs	Panorama:3 Detail:4
Whitelight Distance	Panorama:30m Detail:30m
Laser	Panorama:N/A Detail:N/A
Laser Distance	Panorama:N/A Detail:N/A

## Compression Standard

Video Compression	Panorama:S+265/H.265/H.264/M-JPEG Detail:S+265/H.265/H.264/M-JPEG
Video Bit Rate	Panorama:32Kbps~16Mbps Detail:32Kbps~16Mbps
Audio Compression	G.711A/G.711U/ADPCM_D/AAC_LC
Audio Sampling Rate	8KHz/32KHz/48KHz

## Image

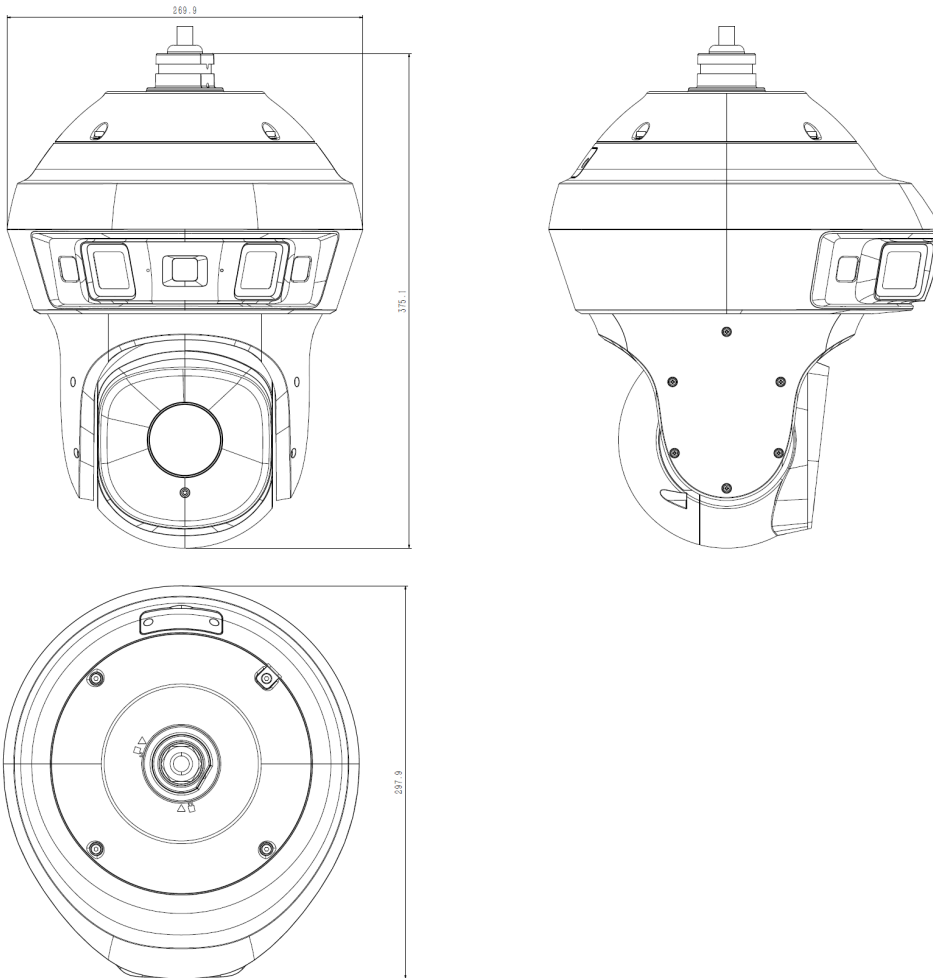
Max. Resolution	Panorama:3840×1568@25fps Detail:2560×1440@25fps
Main Stream	Panorama: PAL:25fps(3840×1568, 3632×1480) NTSC:30fps(3840×1568, 3632×1480) Detail: PAL:25fps(2560×1440, 2304×1296, 1920×1080, 1280×720) NTSC:30fps(2560×1440, 2304×1296, 1920×1080, 1280×720)

Sub Stream	<p>Panorama: PAL:25fps(1200×488, 960×392) NTSC:30fps(1200×488, 960×392)</p> <p>Detail: PAL:25fps(704×576, 704×288, 352×288, 640×360) NTSC:30fps(704×480, 704×240, 352×240, 640×360)</p>
Third Stream	<p>Panorama:N/A</p> <p>Detail: PAL:25fps(704×576, 704×288, 352×288, 640×480) NTSC:30fps(704×480, 704×240, 352×240, 640×480)</p>
BLC	Yes
HLC	Yes
AGC	Yes
White Balance	Yes
ROI	<p>Panorama:7 fixed rectangles and 1 dynamic tracking focus area for each main and secondary stream</p> <p>Detail:7 rectangular 3D fixed focus areas, supporting 1 rectangular dynamic tracking ROI</p>
OSD	<p>Panorama: 5 regions(Each region can have a maximum of 127 characters ,up to 5 lines)</p> <p>Detail: 5 regions(Each region can have a maximum of 127 characters ,up to 5 lines); Panorama: 16*16/32*32/48*48/64*64/96*96/adaptable size</p> <p>Detail: 16*16/32*32/48*48/64*64/96*96/adaptable size; Vector/Lattice</p>
Defog	Yes
Flip	<p>Panorama:N/A</p> <p>Detail:Normal/Horizontal Mirror/Vertical Mirror/Inverted Flip</p>
Regional Exposure	<p>Panorama:N/A</p> <p>Detail:Yes</p>
Regional Focus	<p>Panorama:N/A</p> <p>Detail:Yes</p>
Demist	Yes
Privacy Mask	<p>Panorama:8 regions</p> <p>Detail:24 regions(Up to 4 blocks in the same scene)</p>
<b>Feature</b>	
Alarm Trigger	<p>Panorama:Motion Detection</p> <p>Detail:Motion Detection; Panorama:Mask Alarm</p> <p>Detail:Mask Alarm; Disk Full; Disk R/W Error; Recording Exception; IP Address Conflict; MAC Address Conflict; FTP Server Exception ; Event Input,Event Output; Network cable disconnected</p>
Linkage Method	send email; trigger sound; trigger warmlight; trigger recording; trigger capture; notify surveillance center

Video Analytics	Panorama:Human/Vehicle Classification Detail:Human/Vehicle Classification; Panorama:Tripwire Detail:Tripwire; Panorama:Double Tripwire Detail:Double Tripwire; Panorama:Perimeter Detail:Perimeter; Panorama:N/A Detail:Object Abandon; Panorama:N/A Detail:Object Lost; Panorama:Heatmap Detail:N/A; Panorama:N/A Detail:Loitering; Panorama:N/A Detail:Running; Panorama:N/A Detail:Parking; Panorama:N/A Detail:People Counting; Panorama:N/A Detail:Crowded; Panorama:N/A Detail:Safety Helmet Detection; Panorama:N/A Detail:On Duty Detection; Panorama:Video Abnormal Detail:Video Abnormal; Panorama:Audio Abnormal Detail:N/A
Early Warning(EW)	Early Warning(EW)
Auto-Tracking	Auto-Tracking
Face Mode	Panorama:N/A Detail:Capture facial images
<b>Network</b>	
ANR	ANR
Protocols	HTTP; HTTPS; TCP/IP; UDP; UPnP; ICMP; IGMP; SNMP v1\v2\v3; DHCP; DNS; DDNS; Easy DDNS; NTP; SMTP; TLS; SSL; 802.1x; QoS; IPv4; IPv6; PPPOE; SSH; Unicast; Multicast; ARP; RTP; SRTP; RTSP; FTP; SFTP; NAS; PING
System Compatibility	ONVIF Profile S/T/G/M; CGI; Milestone; RTMP
Remote Connection	≤7
User/Host	Up to 32 users. 4 user levels
Client	Easy7 Smart Client
Mobile Client	EasyLive Plus
<b>Interface</b>	
Communication Interface	1*RJ45 10M/100M/1000M self adaptive Ethernet port
Audio I/O	1*Input Impedance 1kΩ,2.0~2.4Vp-p; 1*Output Impedance 600Ω
Alarm I/O	2*Switching; 1,Switching
Reset Button	Yes
On-board storage	Built-in Micro SD card slot, up to 512 GB
<b>General</b>	
Web Client Language	19 languages: Simplified Chinese/English/Traditional Chinese/Spanish/Italian/Korean/Turkish/Russian/Thai/ Polish/French/Dutch/Hebrew/Vietnamese/Arabic/German/Ukrainian/Portuguese/Albanian
Operating Temperature	-30°C~65°C(IR OFF) -30°C~40°C(IR ON)
Operating Humidity	0-95%

Storage Temperature	-30°C~65°C
Storage Humidity	0-95%(non-condensing)
Power Supply	AC24V±25%\DC24V±10%; POE IEEE802.3BT
Protection	Surge protection 4000V; Lightning proof 6000V; IP66
Material	Metal and Plastic
Boundary Dimensions	298mm(D)*375mm(H)
Package Dimensions	385(L)*350(W)*540(H)mm
GrossWeight	9.41kg
NetWeight	5.33kg

## DIMENSIONS (Unit: mm)



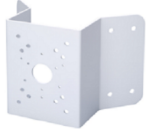
## Assembly diagram of Junction Box



**DF21Y**



**811**



**A35**



**DF21Y**



**A36**